

# MODEL 349 series Override Timers

- Uses Standard Wall Switch Box
- 10 Amp Contact Rating
- 75 mins., 2-Hr. & 15-Hr. Versions
- Color-Coded Connections



## DESCRIPTION

The **Model 349 Series Override Timers** are one-shot timers designed as lighting control timers or override controls for energy management applications. The timers are designed to operate from either 24 or 120VAC and mount in a standard wall switch box. Wire leads allow connections to be made with wire nuts.

The **Model 349-2** is a 2-hour timer adjustable from 5 minutes to 2 hours. Pressing the start button pulls in the internal relay. After the delay, the relay drops out. Pressing the button again during the delay period will restart the timer. An indicator light shows when the relay is pulled in.

The **Model 349-5** has a maximum delay of 75 minutes in 5 minute increments. The **Model 349-15** has a maximum delay of 15 hours, in 1 hour increments. The 349-15 can also be set to 15 minute increments (3 ¾ hours maximum delay).

On both models (349-5 and 349-15), after the start button is pressed, the internal relay pulls in for one timing increment. Each additional press of the button adds one timing increment to the time, up to 15 increments total. The 16th press of the button drops out the relay. Binary numbered indicator lights show remaining time.

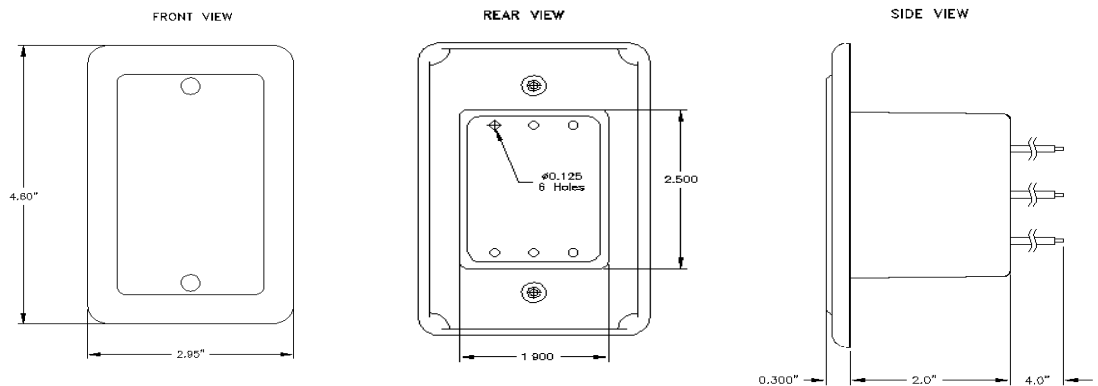
## SPECIFICATIONS

MODEL	349-2	349-5	349-15
Supply Voltage	24VAC ± 20% or 120VAC ± 10%		
Timing Range	5-120 minutes	15 steps of 5 min.	15 steps of 15 min. or 1 hour
Timing Accuracy	± 2% at 2 hours	± 2% per step	± 2% per step
Recycle Time	500ms	100ms	100ms
Input Frequency	50-400Hz		
Operating Temp	-13°F to +140°F		
** @ Ambient Temp	70°F		
Power Consumption	2W max.		
Transient Protection	2500V for 10ms		
Contact Rating	SPDT 10A at 240VAC resistive		
Enclosure Material	ABS plastic		
Weight	4 oz.		

## ORDERING INFORMATION

Order:	MODEL	TIME DELAY
Options:	<b>349-2</b>	Adj: 5 TO 120 MINUTES
	<b>349-5</b>	15 steps: 5 MIN Increments
	<b>349-15</b>	15 Steps: 15 MIN or 1 HOUR Increments

## DIMENSIONS



# MODEL 349 series Override Timers

READ ALL INSTRUCTIONS BEFORE INSTALLING, OPERATING OR SERVICING THIS DEVICE.  
KEEP THIS DATA SHEET FOR FUTURE REFERENCE.

## GENERAL SAFETY

POTENTIALLY HAZARDOUS VOLTAGES ARE PRESENT AT THE TERMINALS OF THE MODEL 349.  
ALL ELECTRICAL POWER SHOULD BE REMOVED WHEN CONNECTING OR DISCONNECTING WIRING.  
THIS DEVICE SHOULD BE INSTALLED AND SERVICED BY QUALIFIED PERSONNEL.

## Installation Instructions

### INSTALLATION

The Model 349 Override Timer has 4" wire leads for AC power connections.

**For 24VAC operation,** connect power to the WHITE and RED leads. Cut back the unused BLACK lead and cover with a wire nut.

**For 120VAC operation,** connect power to the WHITE and BLACK leads. Cut back the unused RED lead and cover with a wire nut.

The Model 349 has 4" wire leads for load circuit connections. These are color-coded as follows:

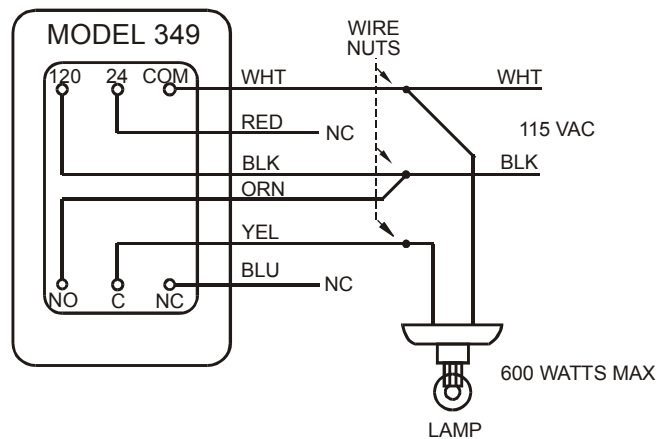
YELLOW.....Relay Common  
ORANGE....Normally Open  
BLUE.....Normally Closed

Connect the appropriate wires into your circuit wiring and secure with wire nut. When used **to turn a load on** for a timed period, **the yellow and orange leads will be used.**

**To turn a load off** for a timed period **the yellow and blue leads will be used.**

Unless both the open and closed contacts are being used in the same circuit, the unused lead should be cut back and covered with a wire nut to prevent its shorting to the mounting box. Secure the Model 349 in a standard switch box (at least 3" deep) and apply power.

### TYPICAL APPLICATION - light control



### WARRANTY

This product is warranted to be free from defects in materials and workmanship for one year. Should this device fail to operate, we will repair it for one year from the date of manufacture. For complete warranty details, see the *Terms and Conditions of Sales* page in the front section of the Time Mark catalog or contact Time Mark at 1-800-862-2875.